

# 4 1/2" PROCESS GAUGE BRASS BOURDON TUBE AND SOCKET MODEL HA14-4

## STANDARD FEATURES

- 4 1/2" dial size
- Brass bourdon tube and socket
- Heavy duty stainless steel movement with underload and overload stops
- Solid front aluminum back flanged safety case
- 1/2% full scale accuracy per ASME B40.1 Grade 2A
- Balanced micrometer adjustable pointer
- 1/4" NPT bottom connection
- Glass lens

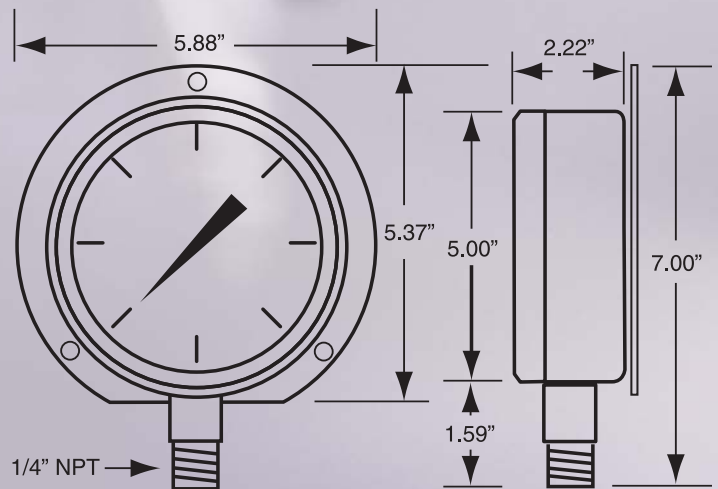


**MODEL HA14-4** ▶

48

## STANDARD RANGES

RANGE	CODE	FIGURES	GRADUATIONS
30"/0 VAC	VC	5" HG	0.2" HG
30" -0-15	CA	10"HG/5 PSI	1"HG/.5 PSI
30" -0-30	CB	10"HG/5 PSI	1"HG/.5 PSI
30" -0-60	CC	10"HG/10 PSI	2"HG/1 PSI
30" -0-100	CD	10"HG/20 PSI	2"HG/1 PSI
0-15 PSI	PC	3 PSI	0.2 PSI
0-30 PSI	PD	5 PSI	0.2 PSI
0-60 PSI	PE	5 PSI	0.5 PSI
0-100 PSI	PF	10 PSI	1 PSI
0-160 PSI	PG	20 PSI	1 PSI
0-200 PSI	PH	20 PSI	2 PSI
0-300 PSI	PJ	50 PSI	2 PSI
0-400 PSI	PK	50 PSI	2 PSI
0-600 PSI	PM	50 PSI	5 PSI
0-1000 PSI	PP	100 PSI	10 PSI



### HOW TO ORDER - PLEASE SPECIFY THE FOLLOWING:

MODEL #	RANGE	CONNECTION SIZE	CONNECTION LOCATION
<b>HA14-4</b>	2 digit code from table	<b>4 = 1/4" NPT</b>	<b>L = Lower</b>

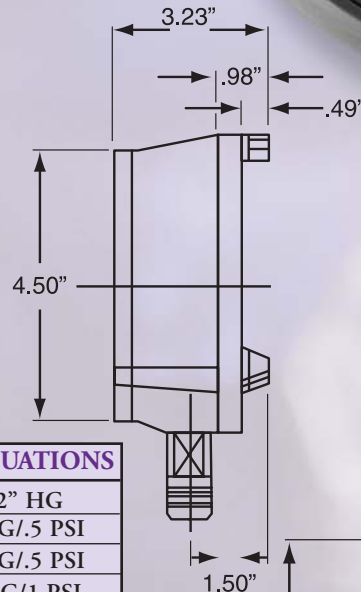
# 4 1/2" PROCESS GAUGE BRASS BOURDON TUBE AND SOCKET MODEL HA14-P & MODEL HY14-P

## STANDARD FEATURES

- 4 1/2" dial size
- Phosphor bronze bourdon tube and brass socket
- Heavy duty brass movement
- Solid front fiberglass reinforced thermoplastic case
- Available dry or factory glycerin filled
- Liquid fillable with optional 1-piece kit
- 1/2% full scale accuracy per ASME B40.1 Grade 2A
- Balanced micrometer adjustable pointer
- 1/4" NPT, bottom connection
- Acrylic lens

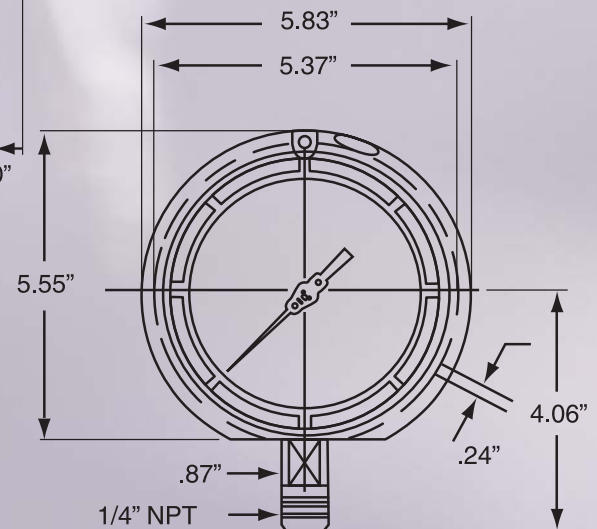


**MODEL HA14-P**



## STANDARD RANGES

RANGE	CODE	FIGURES	GRADUATIONS
30"/0 VAC	VC	5" HG	0.2" HG
30" -0-15	CA	10"HG/5 PSI	1"HG/.5 PSI
30" -0-30	CB	10"HG/5 PSI	1"HG/.5 PSI
30" -0-60	CC	10"HG/10 PSI	2"HG/1 PSI
30" -0-100	CD	10"HG/20 PSI	2"HG/1 PSI
0-15 PSI	PC	3 PSI	0.2 PSI
0-30 PSI	PD	5 PSI	0.2 PSI
0-60 PSI	PE	5 PSI	0.5 PSI
0-100 PSI	PF	10 PSI	1 PSI
0-160 PSI	PG	20 PSI	1 PSI
0-200 PSI	PH	20 PSI	2 PSI
0-300 PSI	PJ	50 PSI	2 PSI
0-400 PSI	PK	50 PSI	2 PSI
0-600 PSI	PM	50 PSI	5 PSI
0-1000 PSI	PP	100 PSI	10 PSI



### HOW TO ORDER - PLEASE SPECIFY THE FOLLOWING:

MODEL #	RANGE	CONNECTION SIZE	CONNECTION LOCATION
<b>HA14-P</b> (dry case)	2 digit code from table	4 = 1/4" NPT	L = Lower
<b>HY14-P</b> (filled case)			

# 4 1/2" PROCESS GAUGE STAINLESS STEEL BOURDON TUBE AND SOCKET MODEL 45PL & MODEL 45LL

## STANDARD FEATURES

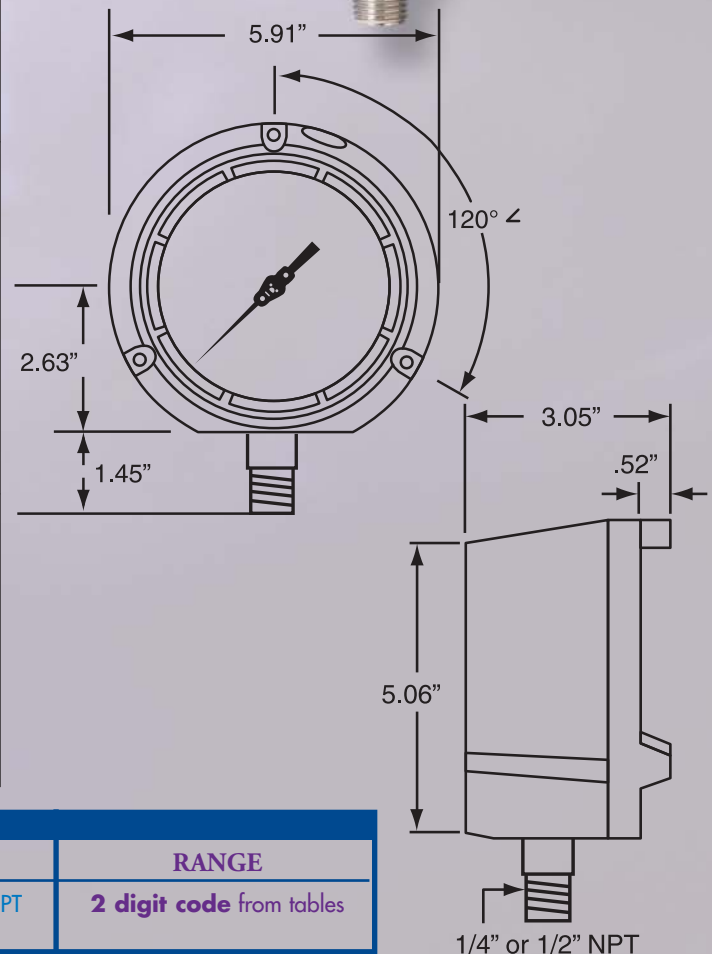
- 4 1/2" dial size
- 316 stainless steel bourbon tube and socket
- Heavy duty stainless steel movement with underload and overload stops
- Solid front hermetically sealed phenolic case
- Available dry or factory glycerin filled
- Field fillable
- 1/2% full scale accuracy per ASME B40.1 Grade 2A
- Balanced micrometer adjustable pointer
- 1/2" NPT or 1/4" NPT bottom connection
- Plastic lens

## STANDARD RANGES

RANGE	CODE	FIGURES	GRADUATIONS
30" /0 VAC	P2	5" HG	0.2"
30" -0-15	P3	10"HG/5 PSI	1"HG/5 PSI
30" -0-30	P4	10"HG/5 PSI	1"HG/5 PSI
30" -0-60	P5	10"HG/10 PSI	1"HG/1 PSI
30" -0-100	P6	10"HG/20 PSI	1"HG/1 PSI
30" -0-150	P7	10"HG/30 PSI	1"HG/2 PSI
30" -0-200	P9	10"HG/50 PSI	1"HG/2 PSI
30" -0-300	P8	10"HG/50 PSI	1"HG/5 PSI
30" -0-600	C2	10"HG/100 PSI	1"HG/10 PSI
0-15 PSI	PA	3 PSI	0.2 PSI
0-30 PSI	PB	5 PSI	0.2 PSI
0-60 PSI	PC	5 PSI	0.5 PSI
0-100 PSI	PD	10 PSI	1 PSI
0-160 PSI	PE	20 PSI	1 PSI
0-200 PSI	PF	20 PSI	2 PSI
0-300 PSI	PG	50 PSI	2 PSI
0-400 PSI	PH	50 PSI	2 PSI
0-600 PSI	PI	50 PSI	5 PSI
0-800 PSI	PJ	100 PSI	5 PSI
0-1000 PSI	PK	100 PSI	10 PSI
0-1500 PSI	PL	250 PSI	10 PSI
0-2000 PSI	PM	200 PSI	20 PSI
0-3000 PSI	PV	500 PSI	20 PSI
0-5000 PSI	PO	1000 PSI	50 PSI
0-10,000 PSI	PP	1000 PSI	100 PSI
0-15,000 PSI	PR	2,500 PSI	100 PSI
0-20,000 PSI	PS	2,000 PSI	200 PSI



▲  
**MODEL 45PL**



51

HOW TO ORDER - PLEASE SPECIFY THE FOLLOWING:		
MODEL #	CONNECTION SIZE	RANGE
<b>45PL</b> (dry case) <b>45LL</b> (filled case)	<b>2</b> = 1/2" NPT <b>4</b> = 1/4" NPT	<b>2 digit code</b> from tables

# 4 1/2" PROCESS GAUGE STAINLESS STEEL BOURDON TUBE AND SOCKET MODEL 45PB & MODEL 45LB

**WGTC** WEKSLER GLASS  
THERMOMETER CORP.

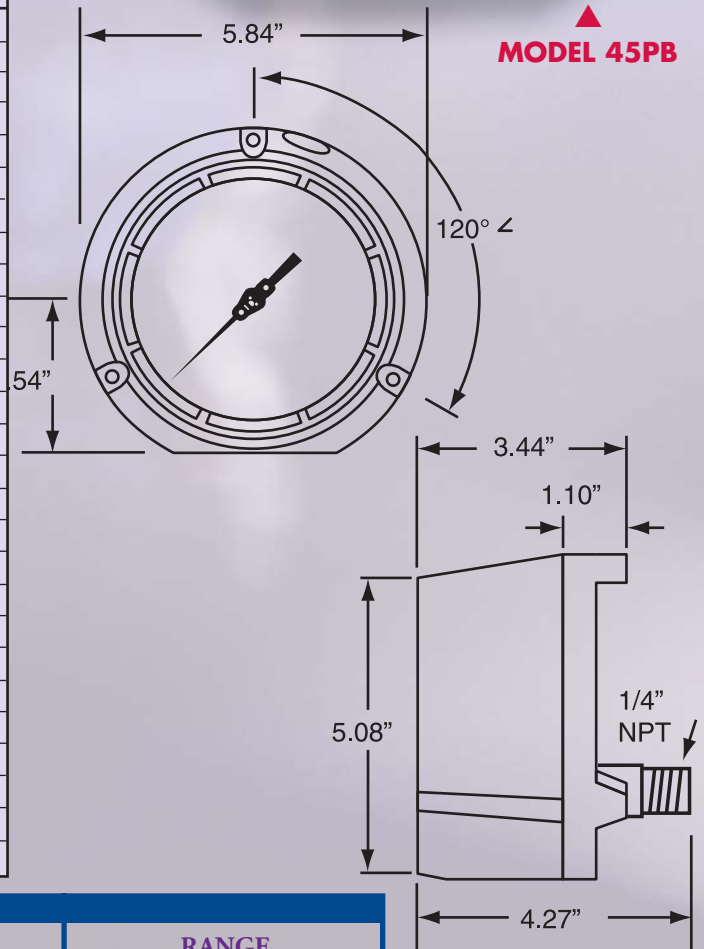
## STANDARD FEATURES

- 4 1/2" dial size
- 316 stainless steel bourbon tube and socket
- Heavy duty stainless steel movement with underload and overload stops
- Solid front hermetically sealed phenolic case
- Available dry or factory glycerin filled
- Field fillable
- 1/2% full scale accuracy per ANSI B40.1 Grade 2A
- Balanced micrometer adjustable pointer
- 1/4" NPT lower back connection
- Plastic lens



## STANDARD RANGES

RANGE	CODE	FIGURES	GRADUATIONS
30" -0 VAC	P2	5" HG	0.2"
30" -0-15	P3	10"HG/5 PSI	1"HG/5 PSI
30" -0-30	P4	10"HG/5 PSI	1"HG/5 PSI
30" -0-60	P5	10"HG/10 PSI	1"HG/1 PSI
30" -0-100	P6	10"HG/20 PSI	1"HG/1 PSI
30" -0-150	P7	10"HG/30 PSI	1"HG/2 PSI
30" -0-200	P9	10"HG/50 PSI	1"HG/2 PSI
30" -0-300	P8	10"HG/50 PSI	1"HG/5 PSI
30" -0-600	C2	10"HG/100 PSI	1"HG/10 PSI
0-15 PSI	PA	3 PSI	0.2 PSI
0-30 PSI	PB	5 PSI	0.2 PSI
0-60 PSI	PC	5 PSI	0.5 PSI
0-100 PSI	PD	10 PSI	1 PSI
0-160 PSI	PE	20 PSI	1 PSI
0-200 PSI	PF	20 PSI	2 PSI
0-300 PSI	PG	50 PSI	2 PSI
0-400 PSI	PH	50 PSI	2 PSI
0-600 PSI	PI	50 PSI	5 PSI
0-800 PSI	PJ	100 PSI	5 PSI
0-1000 PSI	PK	100 PSI	10 PSI
0-1500 PSI	PL	250 PSI	10 PSI
0-2000 PSI	PM	200 PSI	20 PSI
0-3000 PSI	PV	500 PSI	20 PSI
0-5000 PSI	PO	1000 PSI	50 PSI
0-10,000 PSI	PP	1000 PSI	100 PSI
0-15,000 PSI	PR	2,500 PSI	100 PSI
0-20,000 PSI	PS	2,000 PSI	200 PSI



**MODEL 45PB**

### HOW TO ORDER - PLEASE SPECIFY THE FOLLOWING:

MODEL #	CONNECTION SIZE	RANGE
<b>45PB</b> (dry case) <b>45LB</b> (filled case)	<b>4 = 1/4" NPT</b>	<b>2 digit code</b> from tables